

### Branch Mechanical Connectors

Branch Mechanical Connectors for use with RCB Resin Joints. For LV main branch jointing of sector/round, stranded/solid, aluminium/copper conductor cores, or use with cables up to 300mm<sup>2</sup>.

**Material:** Aluminium Alloy



Code	Cable Range mm <sup>2</sup>				Weight (g)
	Mains		Branch		
	Min	Max	Min	Max	
WM1	25	95	25	95	105
WM2	35	185	25	185	225
WM3	70	300	70	300	350

### High Performance LV Branch Connectors

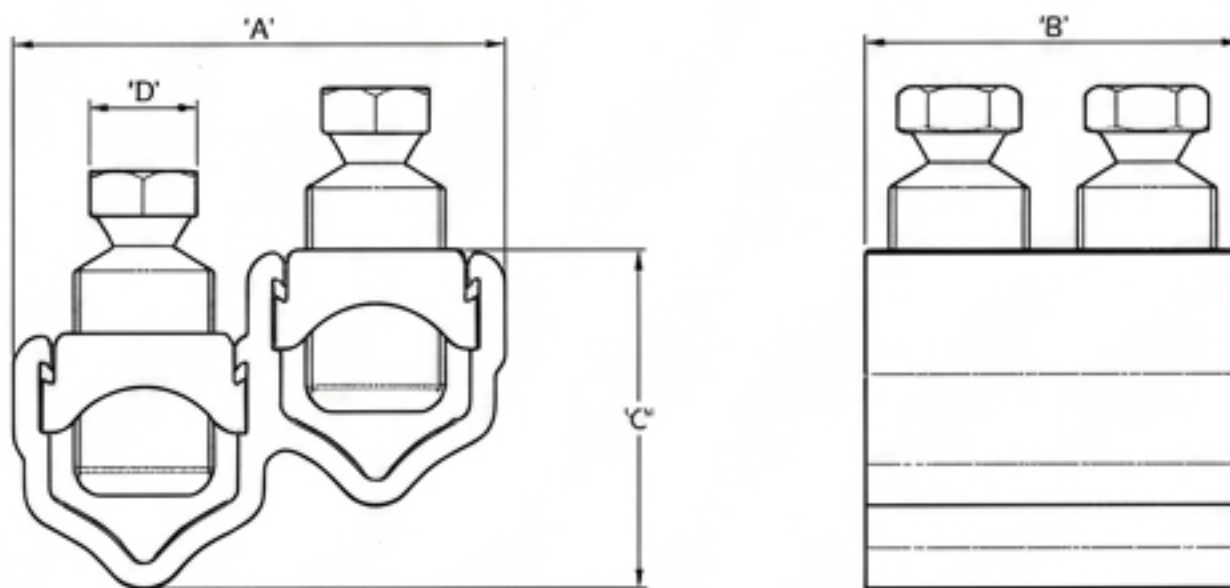
These connectors support a wide range of LV mains cable styles and sizes, prioritizing installation speed and reliability.

**Direct-Acting Shear Bolts:** Plated shear-head bolts ensure precise tension and eliminate the need for pressure plates.

**Copper-to-Copper Ready:** The plated bolt and yoke design allows for direct copper conductor giming without brass gauze.

**Material:** Aluminium Alloy

**Standards:** Designed to meet the requirements of Engineering Recommendation C79 and IEC 1238-1.



Code	No. of Bridge Pieces	Dimensions (mm)			
		A	B	C	D
WM1	2	50.0	43.0	31.5	13 A/F
WM2	2	67.0	54.0	44.0	17 A/F
WM3	2	78.0	60.0	53.0	17 A/F